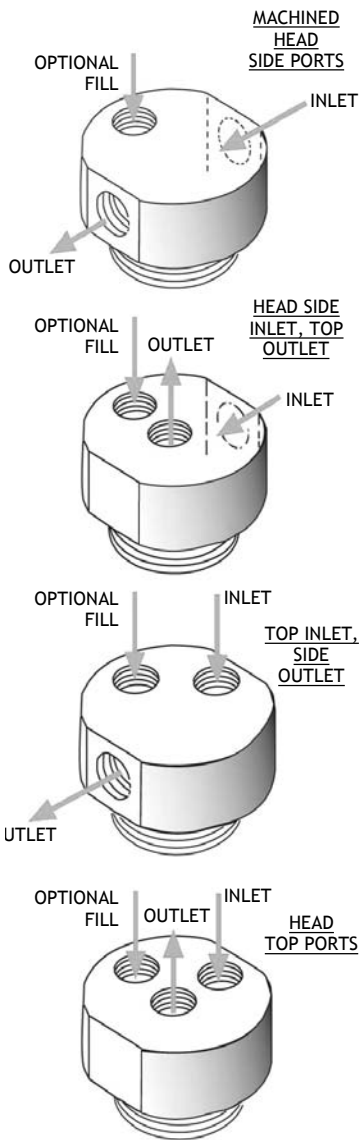
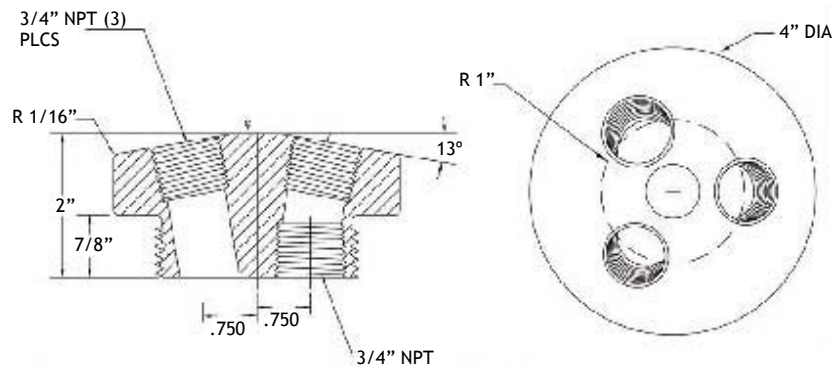


PVC TANK HEADS

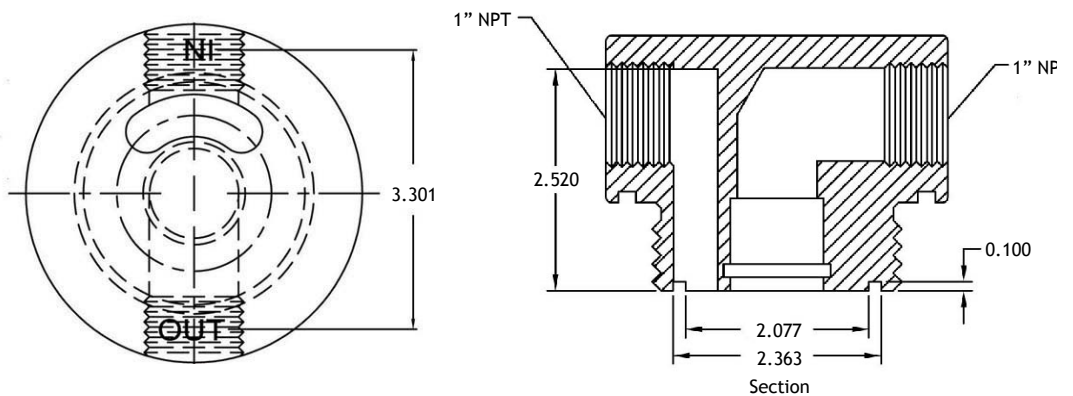
TOUGH STUFF® Tank Heads are machined from solid PVC bar stock for maximum reliability in the field. Common applications include DI units, carbon filters and softeners. Tank heads are available in plastics other than PVC, including CPVC, polypropylene, Teflon and PVDF. Please contact your MATTSON/WITT sales representative to discuss custom sizes, configurations and materials.



&T258375TA10PK



Q8044-1



TECHNICAL SPECIFICATIONS

Maximum recommended operating temperature 140°F (60°C)
 Maximum recommended operating pressure 150 PSI
 Materials PVC, Buna-N or EPDM



STOCKED PVC TANK HEADS

ITEM	DESCRIPTION
Q3025	TANK HEAD 2.5" #8 X .25" PVC SIDE W/ .75" FILL CAP, .75" NPT RISER
Q8040	TANK HEAD 2.5" #8 X .375" PVC SIDE
Q8042-.50	TANK HEAD 2.5" #8 X .50" PVC SIDE W/ .50" FILL HOLE & PLUG
Q8042-.75	TANK HEAD 2.5" #8 X .50" PVC SIDE W/ .75" FILL HOLE & PLUG
Q8056	TANK HEAD 2.5" #8 X .50" PVC TOP
Q8044	TANK HEAD 2.5" #8 X .75" PVC SIDE
Q8044-DS	TANK HEAD 2.5" #8 X .75" PVC SIDE W/ .125" NPT FILL HOLE W/O PLUG
Q8044-.50	TANK HEAD 2.5" #8 X .75" PVC SIDE W/ .50" FILL HOLE & PLUG
Q8044-.75	TANK HEAD 2.5" #8 X .75" PVC SIDE W/ .75" FILL HOLE & PLUG
Q8044-DS1	TANK HEAD 2.5" #8 X 1.0" PVC SIDE W/ .125" F/ AIR VENT .75" GLUE RISER
Q8044-1	TANK HEAD 2.5" #8 X 1.0" PVC SIDE W/ 1.05" RISER
Q8044-2	TANK HEAD 2.5" #8 X .75 PVC SIDE W/ .75" FILL HOLE & PLUG/INLET SCREEN
Q8040-.75	TANK HEAD 2.5" #8 X .375" PVC SIDE W/ .75" FILL HOLD & PLUG
Q8056	TANK HEAD 2.5" #8 X .50" PVC TOP
&T2585S1	TANK HEAD 2.5" #8 X .50" I/O SIDE 13/16" RISER MPU I/S
&T25875S75FPK	TANK HEAD 2.5" #8 X .50" I/O SIDE 13/16" RISER MPU I/S (PARK)
&T258375S1PK	TANK HEAD 2.5" #8 X .375" I/O SIDE 13/16" RISER MPU I/S (PARK)
&T258375TA10PK	TANK HEAD 2.5" #8 X .75" I/O TOP (ANGLED) .75" FNPT RISER
Q8058	TANK HEAD 2.5" #8 X .75 PVC TOP
Q8072	TANK HEAD 2.5" #8 X .75" PVC SIDE/TOP 13/16" RISER
&T481S6	TANK HEAD 4.0" X 1" I/O SIDE 1.05" RISER 1.05 I/S
Q8048	TANK HEAD 4.0" #8 X 1.0" PVC SIDE
Q8048-.75	TANK HEAD 4.0" #8 X 1.0" PVC SIDE W/ .75" FILL HOLE & PLUG
Q8048-1.0	TANK HEAD 4.0" #8 X 1.0" PVC SIDE W/ 1.0" FILL HOLE & PLUG
Q8062	TANK HEAD 4.0" #8 X 1.0" PVC TOP
Q8047-1.5	TANK HEAD 4.0" #8 X 1.5" PVC SIDE W/ PEANUT INLET/CENTER RISER O-R
Q8066-1.0A	TANK HEAD 4.5" PIX1.0" PVC TOP W/ 1.0" FILL, RISER OFFSET

